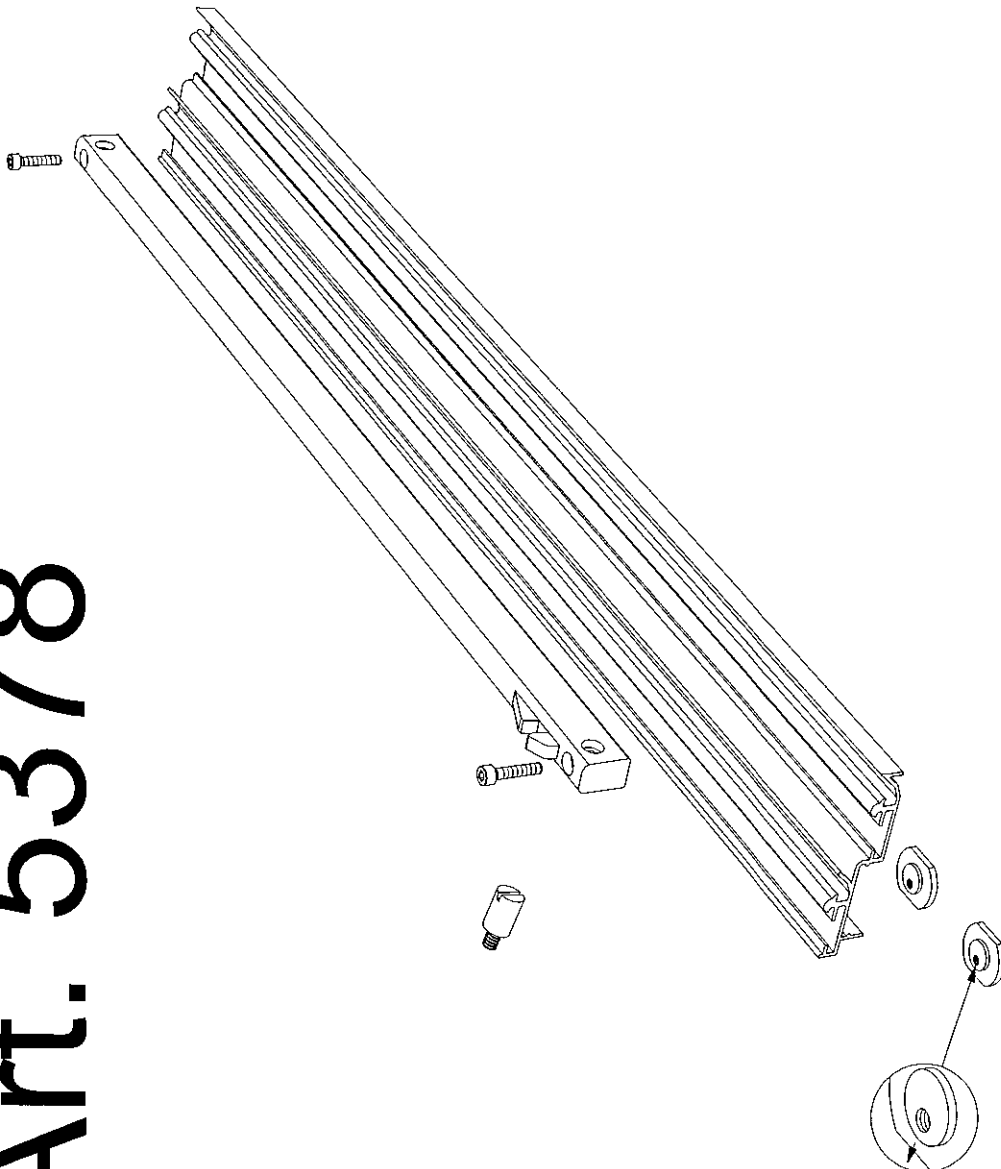


Art. 5378



INSERIMENTO
INSERTING

Art. 5378-8

