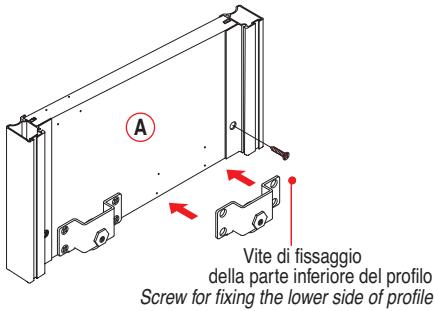
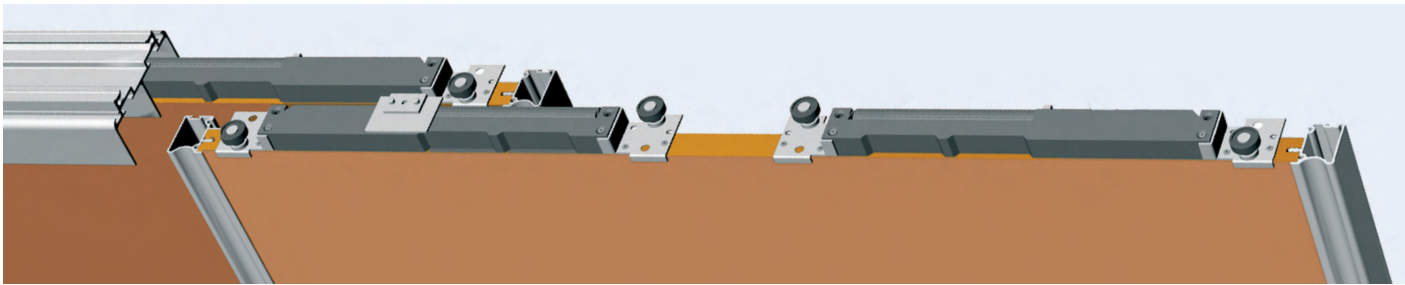
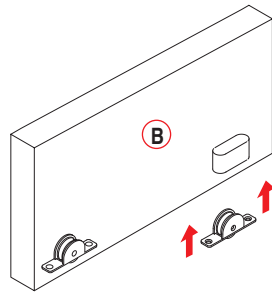




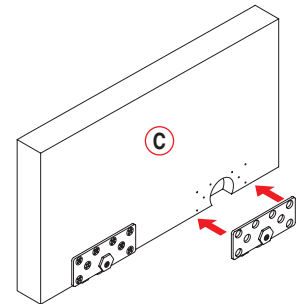
SCHEMA DI MONTAGGIO DELLE GUIDE SUPERIORI CON FERMI AMMORTIZZATI ART 4177
ASSEMBLAGE PLAN FOR UPPER GUIDE WITH STOPS SHOCK-ABSORBED ART. 4177



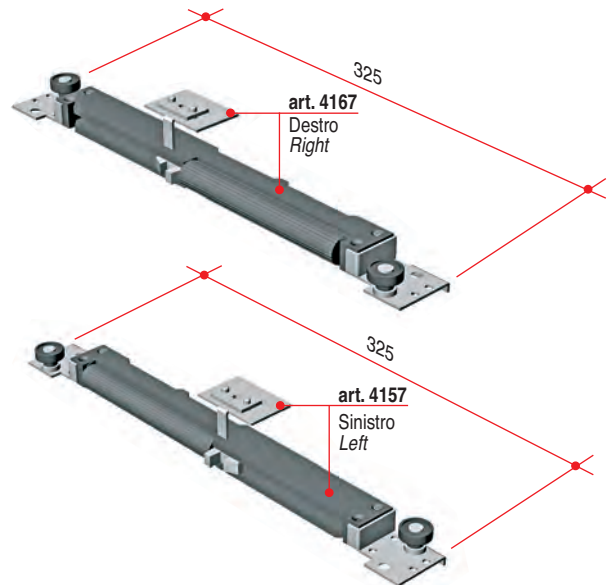
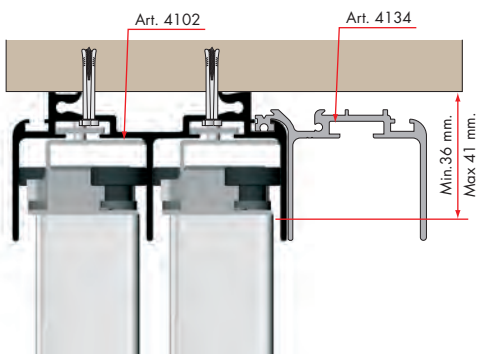
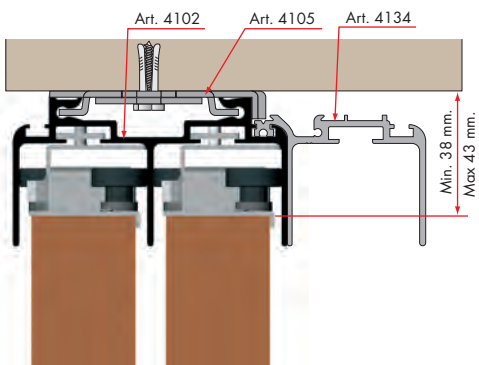
art. 4114
Carrello inferiore esterno, regolabile
Adjustable lower truck for external application



art. 3201
Carrello inferiore a scomparsa
Lower truck at foldway



art. 4113
Carrello inferiore incassato, regolabile
Adjustable lower truck for embedded application



Kit art. 4177
Con 1pz, art. 4157 e 1 pz. art.4167
With 1pz, art. 4157 and 1 pz. art.4167