

Kit 5854 | 5858 | 5864

5854/A E

Art. List: 2203/40 x2 | 5814/A x2 | 2207 x2 | 3406 x1 | 2090 x1

Icons: 50 Kg, 400-3000, 1, door types, SOFT, AUTO

5854/IX E

Art. List: 2203/40 x2 | 5814/IX x2 | 2207 x2 | 3406 x1 | 2090 x1

Icons: 50 Kg, 400-3000, 1, door types, SOFT, AUTO

5858/A E

Art. List: 5638 x2 | M8X40 x2 | 5814/A x2 | 2207 x2 | 5806 x1 | 2090 x1

Icons: 70 Kg, 360-3000, 1, door types, SOFT, AUTO

5858/IX E

Art. List: 5638 x2 | M8X40 x2 | 5814/IX x2 | 2207 x2 | 5806 x1 | 2090 x1

Icons: 70 Kg, 360-3000, 1, door types, SOFT, AUTO

5864/A E

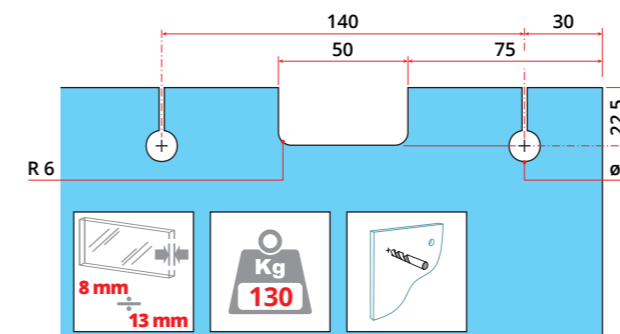
Art. List: 2216/40 x2 | 5814/A x2 | 2207 x2 | 5806 x1 | 2090 x1

Icons: 100 Kg, 400-3000, 1, door types, SOFT, AUTO

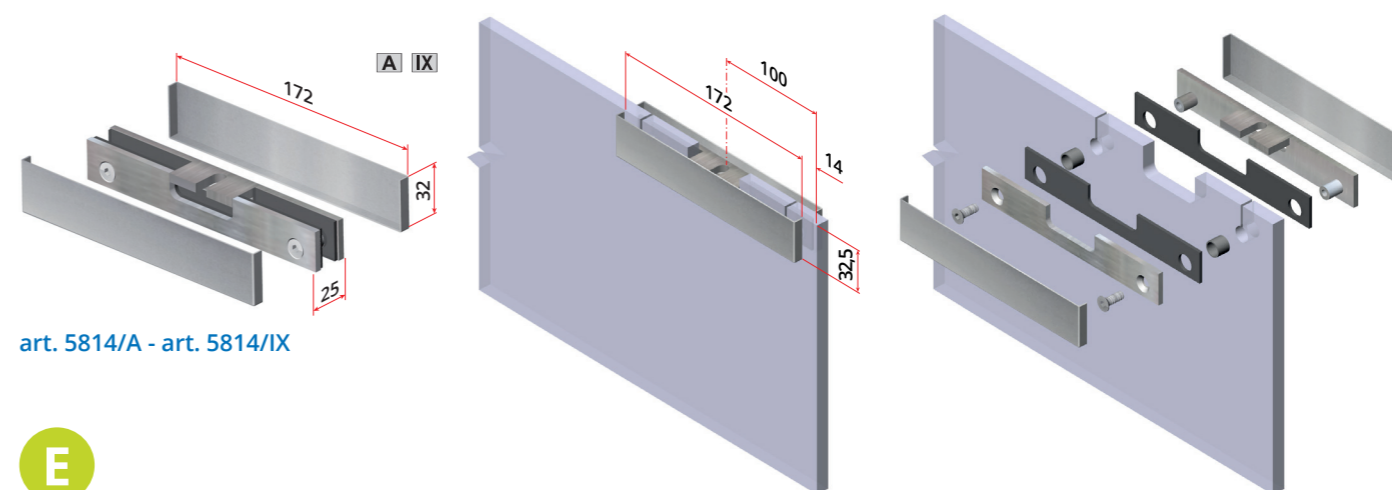
5864/IX E

Art. List: 2216/40 x2 | 5814/IX x2 | 2207 x2 | 5806 x1 | 2090 x1

Icons: 100 Kg, 400-3000, 1, door types, SOFT, AUTO



Morsetto E - Art. 5814/A - 5814/IX | Clamp E - Art. 5814/A - 5814/IX



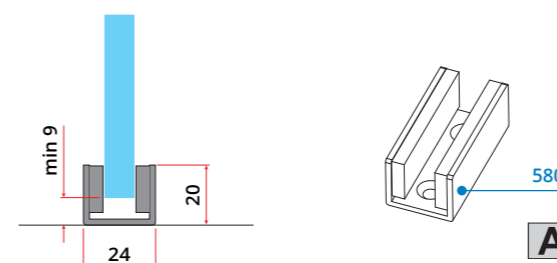
art. 5814/A - art. 5814/IX

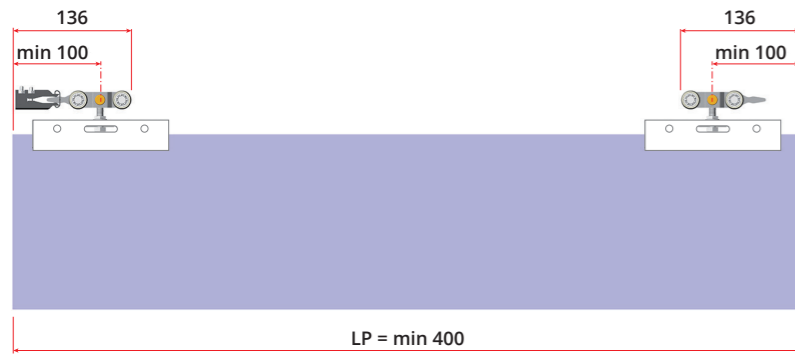
Avvertenze generali | General warnings

E' molto importante fissare i binari in perfetta posizione orizzontale. *It is very important to fix the rails in perfect horizontal position.*

Rimuovere detriti e polvere dal binario, se in dotazione tramite la spugna 220. *Remove debris and dust from the rail, if available using the sponge art 220.*

Guida inferiore 5806 | Lower guide 5806





Kit compatibili
Matching kits

5854/A
5854/IX



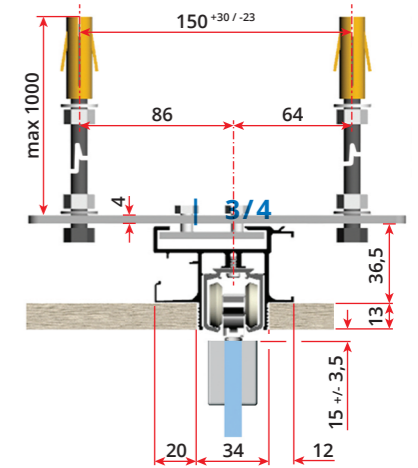
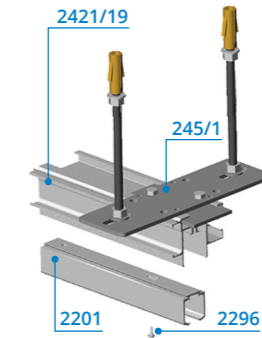
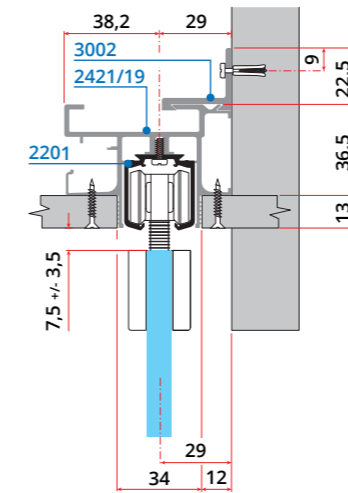
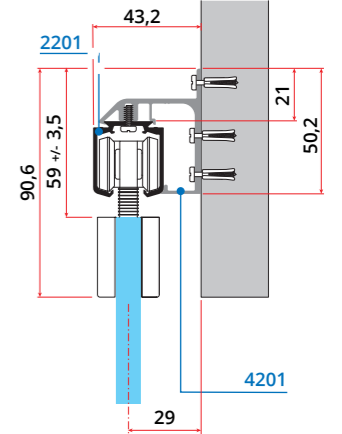
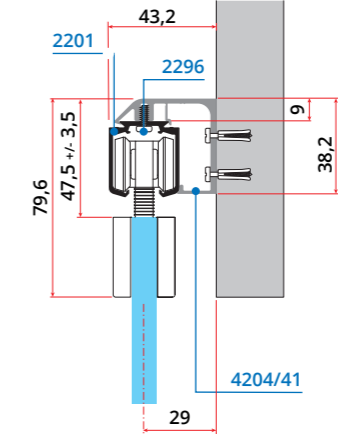
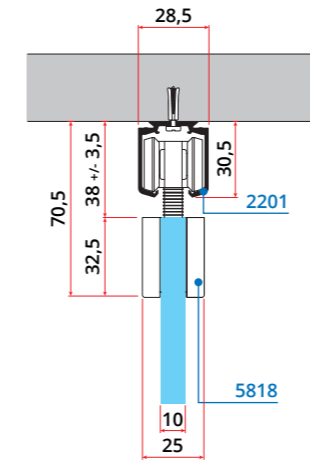
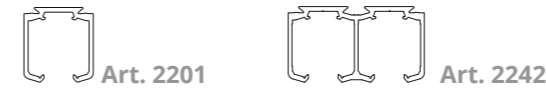
Kit compatibili
Matching kits

5858/A
5858/IX



Kit compatibili
Matching kits

5864/A
5864/IX



Applicazioni con binario 5801, 5832 e 5833 | Applications with 5801, 5832 and 5833 rail

