

Kit 5840 | 5846 | 5850

5840

Art. List: 2203/40 x2 | 5819 x2 | 2207 x2 | 3406 x1 | 2090 x1 | 58/13 x1

Icons: Kg 50, 400/3000, 1, door, window, SOFT, AUTO

5846

Art. List: 5638 x2 | M8X40 x2 | 5819 x2 | 2207 x2 | 5806 x1 | 2090 x1 | 58/13 x1

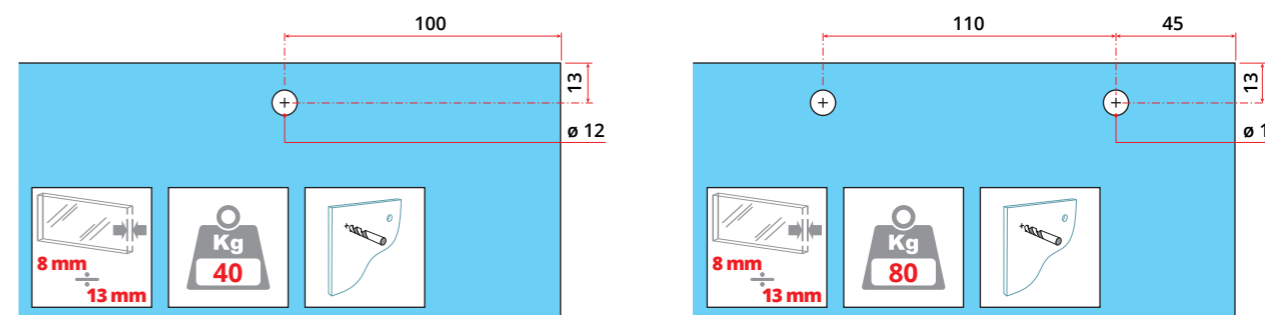
Icons: Kg 70, 360/3000, 1, door, window, SOFT, AUTO

5850

Art. List: 2208/40 x2 | 5819 x2 | 2207 x2 | 5806 x1 | 2090 x1 | 58/13 x1

Icons: Kg 80, 400/3000, 1, door, window, SOFT, AUTO

Lavorazione porta | Door working

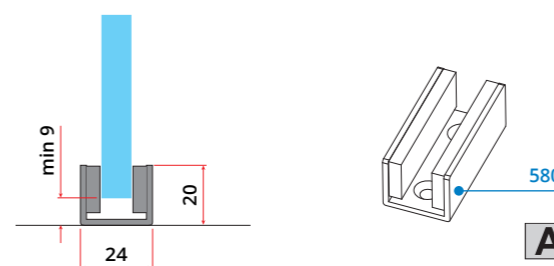


Avvertenze generali | General warnings

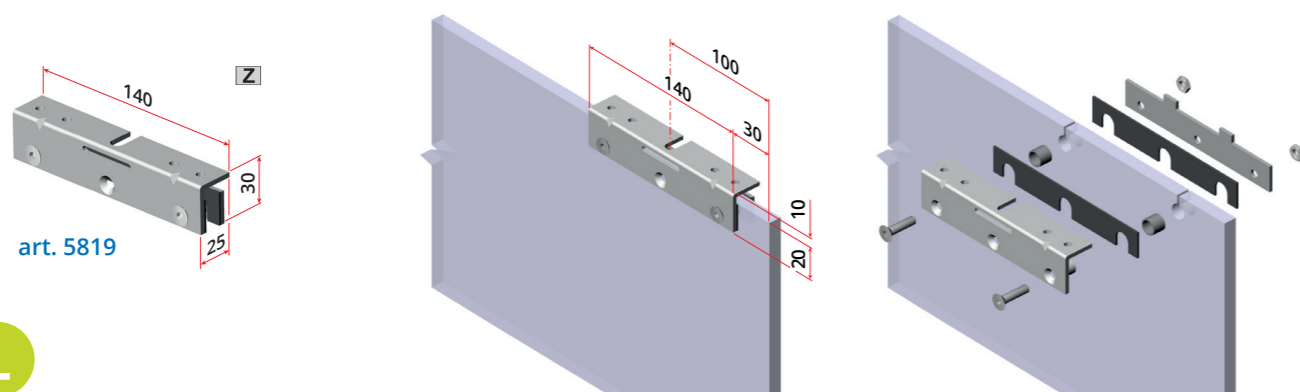
E' molto importante fissare i binari in perfetta posizione orizzontale. *It is very important to fix the rails in perfect horizontal position.*

Rimuovere detriti e polvere dal binario, se in dotazione tramite la spugna 220. *Remove debris and dust from the rail, if available using the sponge art 220.*

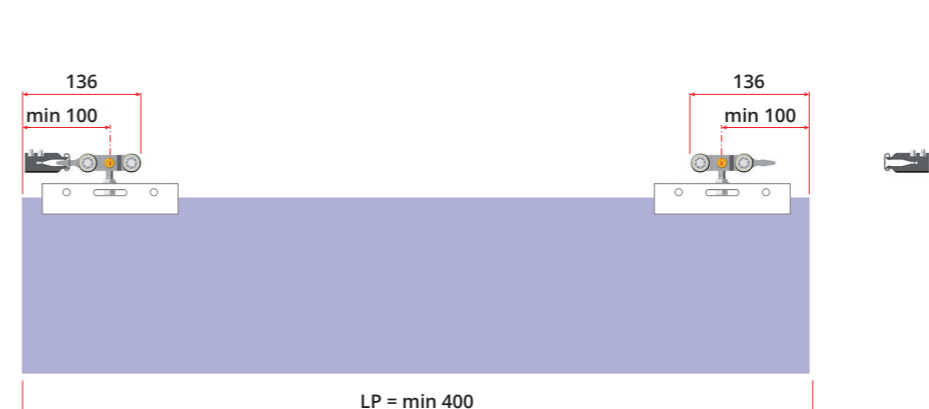
Guida inferiore 5806 | Lower guide 5806



Morsetto L - Art. 5819 | Clamp L - Art. 5819

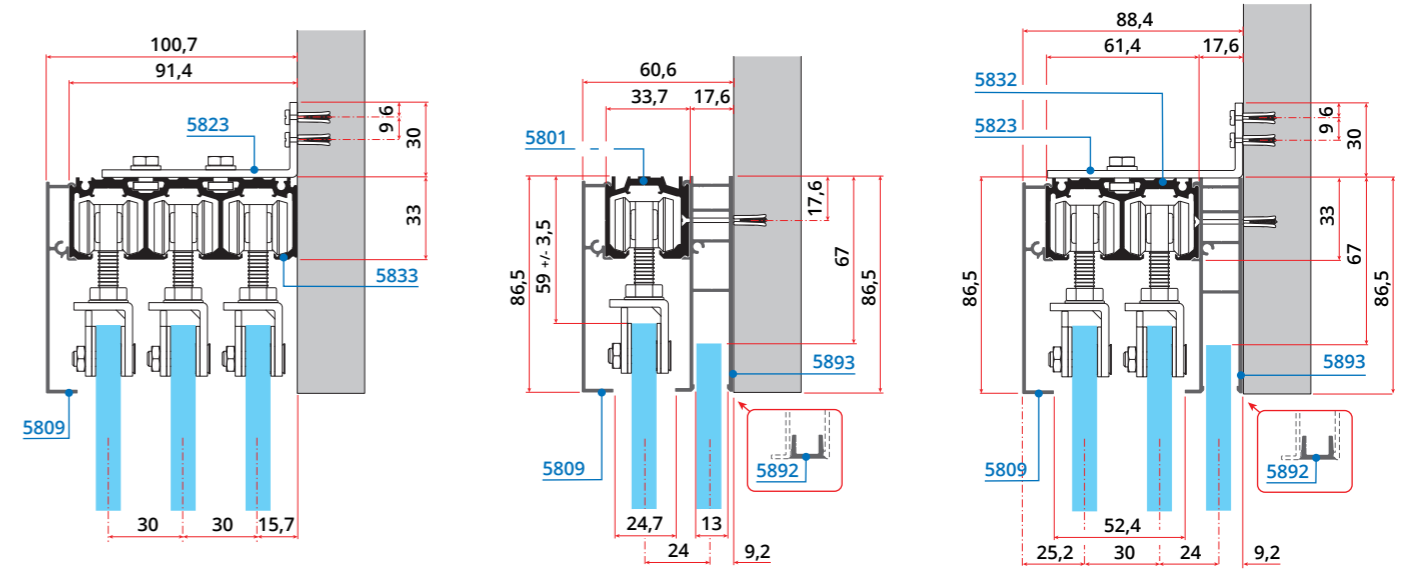
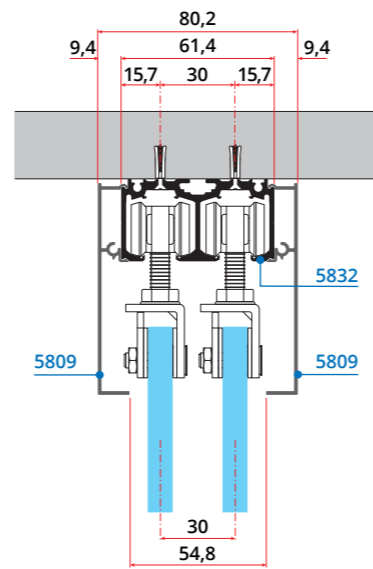
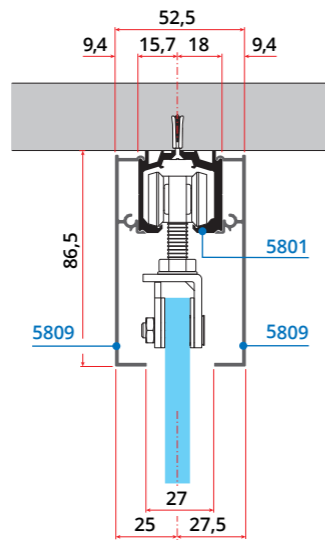
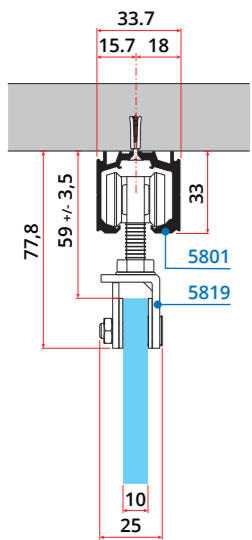
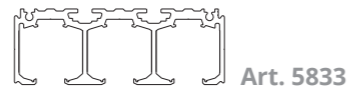
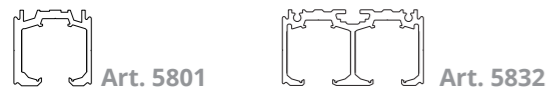


Quote di fissaggio | Fixing measures



Kit compatibili Matching kits	
5840	Kg 50
Kit compatibili Matching kits	
5846	Kg 70
Kit compatibili Matching kits	
5850	Kg 80

Applicazioni con binario 5801, 5832 e 5833 | Applications with 5801, 5832 and 5833 rail



Applicazioni con binario 2201 e 2242 | Applications with 2201 and 2242 rail

