

Kit 5884 | 5884/S | 5884/130



5884/A E

Art. List: 5666 x1 | 5669 x1 | M8x35 x2 | 5814/A x2 | 5667 x2 | 2467 x2 | 5806 x1
2090 x1 | 3308 x1

Icons: Kg 80, 640/3000, 1, door types, SOFT, AUTO

5884/IX E

Art. List: 5666 x1 | 5669 x1 | M8x35 x2 | 5814/IX x2 | 5667 x2 | 2467 x2 | 5806 x1
2090 x1 | 3308 x1

Icons: Kg 80, 640/3000, 1, door types, SOFT, AUTO

5884/A/S E

Art. List: 5666/S x1 | 5669/S x1 | M8x35 x2 | 5814/A x2 | 5667 x2 | 2467 x2 | 5806 x1
2090 x1 | 3308 x1

Icons: Kg 100, 632/3000, 1, door types, SOFT, AUTO

5884/IX/S E

Art. List: 5666/S x1 | 5669/S x1 | M8x35 x2 | 5814/IX x2 | 5667 x2 | 2467 x2 | 5806 x1
2090 x1 | 3308 x1

Icons: Kg 100, 632/3000, 1, door types, SOFT, AUTO

5884/130/A E

Art. List: 5666 x1 | 5679/S x1 | M8x35 x2 | 5814/A x2 | 5667 x2 | 2467 x2 | 5806 x1
2090 x1 | 3308 x1

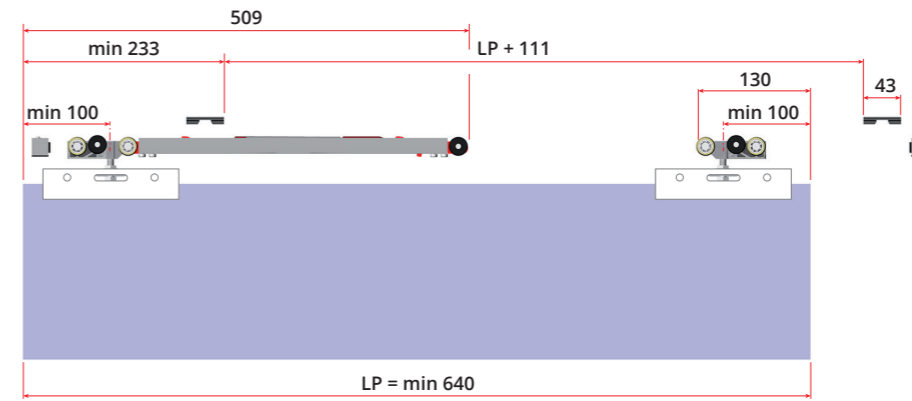
Icons: Kg 130, 704/3000, 1, door types, SOFT, AUTO

5884/130/IX E

Art. List: 5666 x1 | 5679/S x1 | M8x35 x2 | 5814/IX x2 | 5667 x2 | 2467 x2 | 5806 x1
2090 x1 | 3308 x1

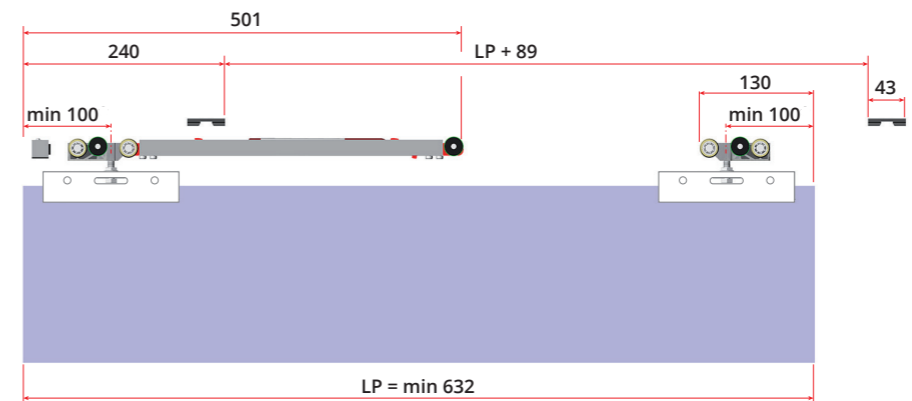
Icons: Kg 130, 704/3000, 1, door types, SOFT, AUTO

Quote di fissaggio | Fixing measures



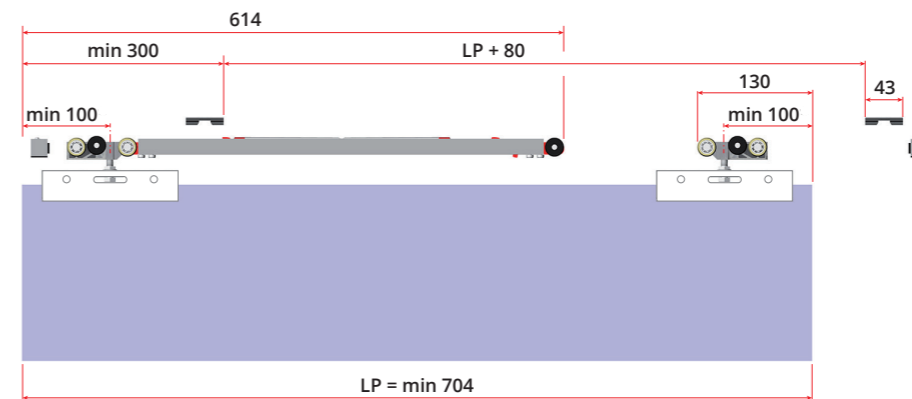
Kit compatibili
Matching kits

5884



Kit compatibili
Matching kits

5884/S



Kit compatibili
Matching kits

5884/130



Avvertenze generali | General warnings

E' molto importante fissare i binari in perfetta posizione orizzontale. *It is very important to fix the rails in perfect horizontal position.*

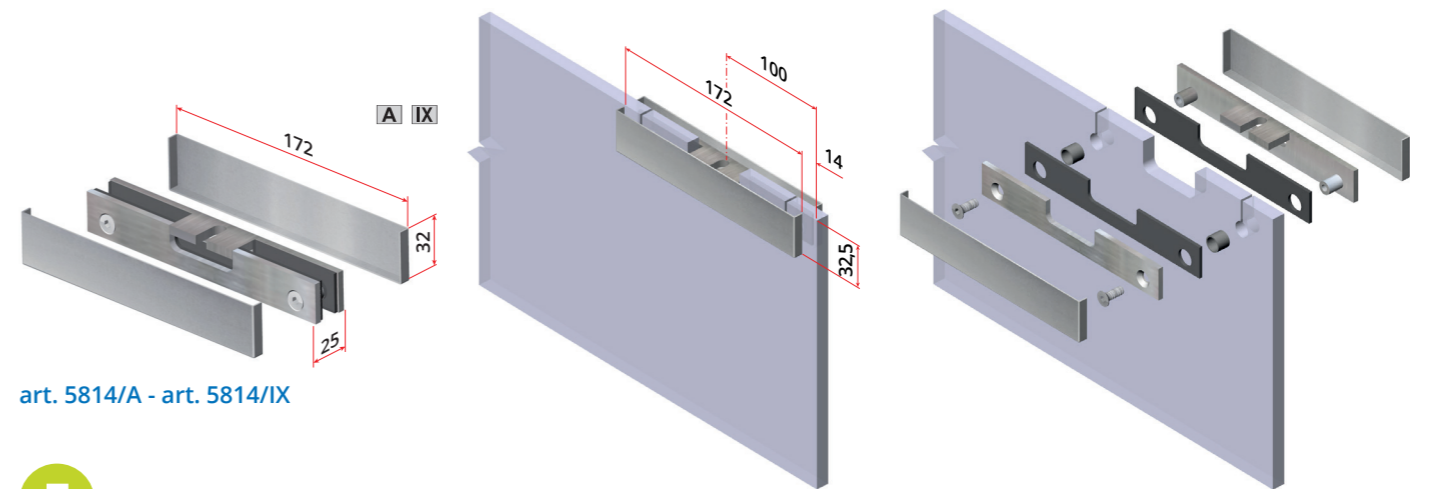
Rimuovere detriti e polvere dal binario, se in dotazione tramite la spugna 220. *Remove debris and dust from the rail, if available using the sponge art 220.*

1 220 Optional

Stringere le viti con moderazione per evitare danneggiamenti. Dopo il posizionamento stringere le viti fino portarle a filo. *Tighten the screws with moderation, to avoid breakage. After placement tighten all the screws.*

NO OK

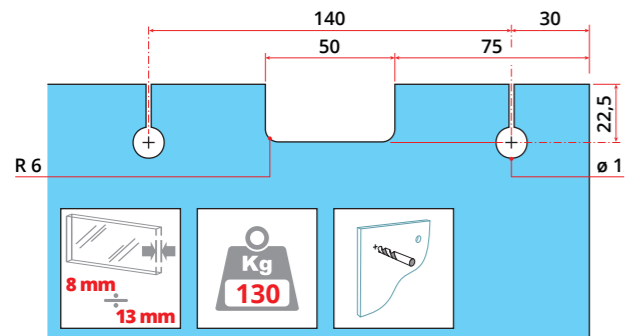
Morsetto E - Art. 5814/A - 5814/IX | Clamp E - Art. 5814/A - 5814/IX



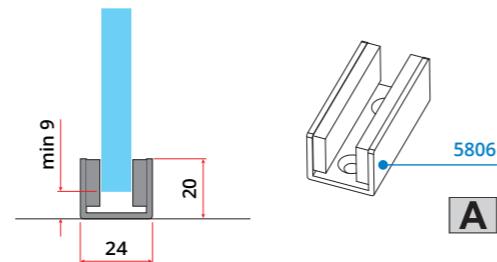
art. 5814/A - art. 5814/IX



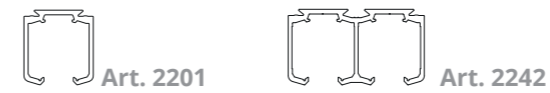
Lavorazione porta | Door working



Guida inferiore 5806 | Lower guide 5806

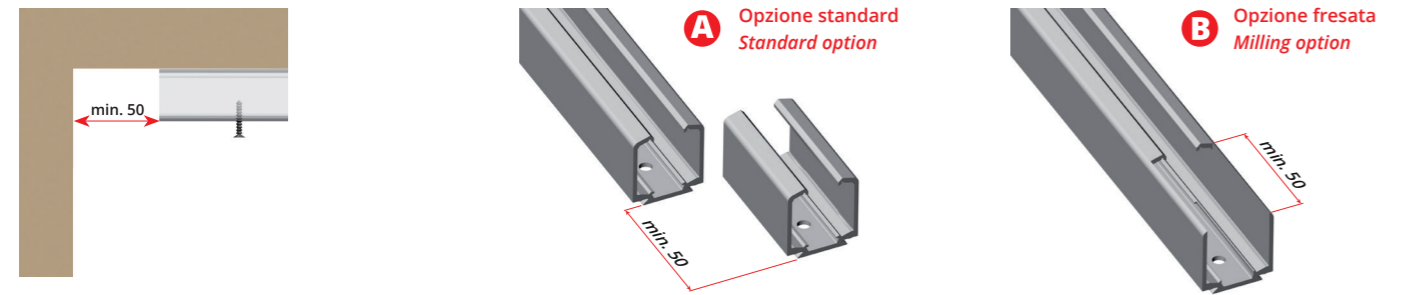


Applicazioni con binario 2201 e 2242 | Applications with 2201 and 2242 rail

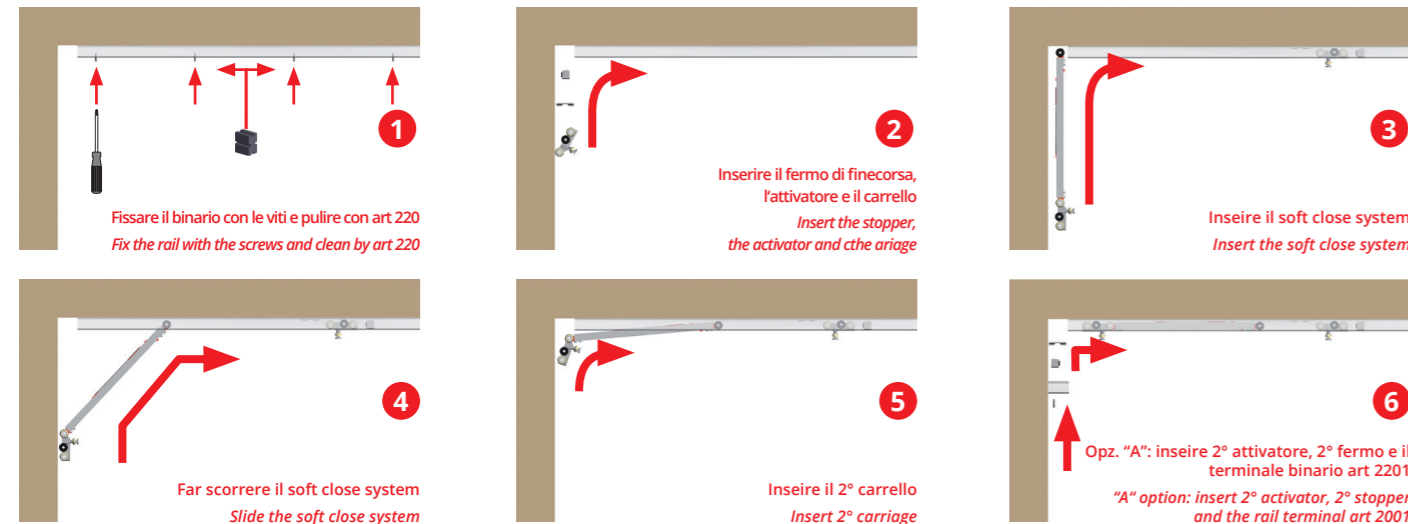


Applicazioni con binario 5801 e 5832 | Applications with 5801 and 5832 rail

Preparazione binario | Rail preparation



Sequenza di montaggio kit Easy-on | Kit Easy-on assembly sequence



Applicazioni con binario 5801, 5832 e 5833 | Applications with 5801, 5832 and 5833 rail

