

**Kit 5560 | 5567 | 5568 | 5568/7 | 5580 | 5587**

**5560**

Art. List: 5501 x1 | 5503 x1 | 5505 x1 | 5506 x1 | 2090 x1 | 5502 x6

Icons: Kg 40, 400/1600, 1, SOFT, AUTO

**5567**

Art. List: 5501 x1 | 5503 x1 | 5505 x1 | 5506 x1 | 2090 x1 | 5507 x1 | 5502 x6

Icons: Kg 40, 400/1600, 1, SOFT, AUTO

**5568**

Art. List: 5501 x1 | 5503 x1 | 5505 x1 | 5506 x1 | 5508x1 | 2090 x1 | 5502 x6

Icons: Kg 160, 400/1600, 1, SOFT, AUTO

**5568/7**

Art. List: 5501 x1 | 5503 x1 | 5505 x1 | 5506 x1 | 5508x1 | 2090 x1 | 5507 x1 | 5502 x6

Icons: Kg 160, 400/1600, 1, SOFT, AUTO

**5580**

Art. List: 5501 x1 | 5503 x1 | 5505 x1 | 5508x1 | 2090 x1 | 5502 x6

Icons: Kg 160, 400/1600, 1, SOFT, AUTO

**5587**

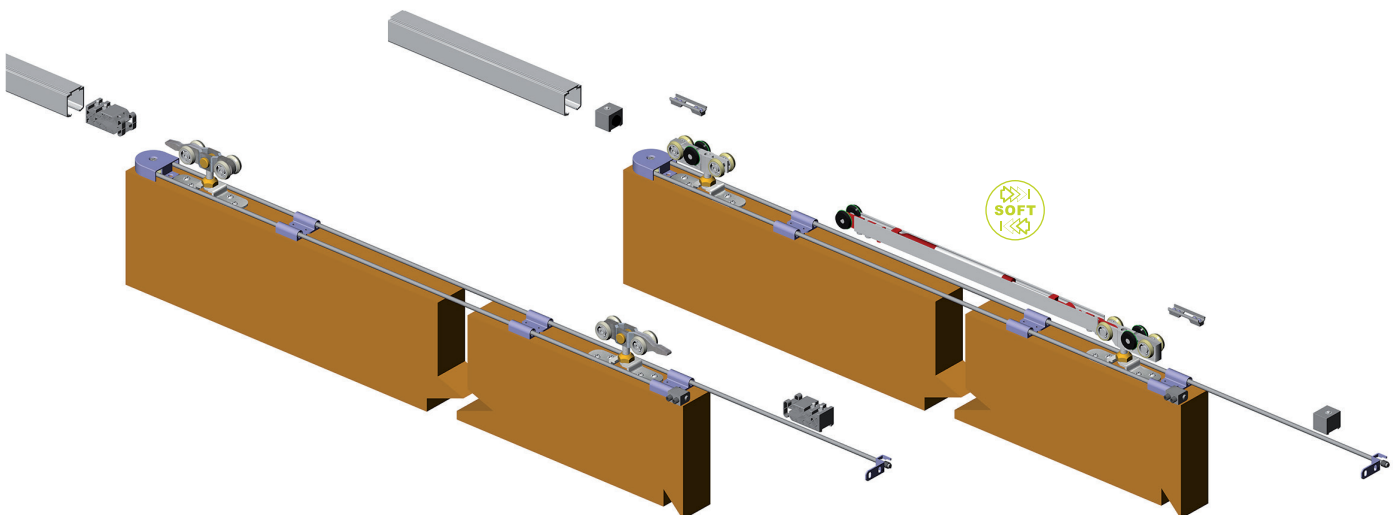
Art. List: 5501 x1 | 5503 x1 | 5505 x1 | 5508x1 | 2090 x1 | 5507 x1 | 5502 x6

Icons: Kg 160, 400/1600, 1, SOFT, AUTO

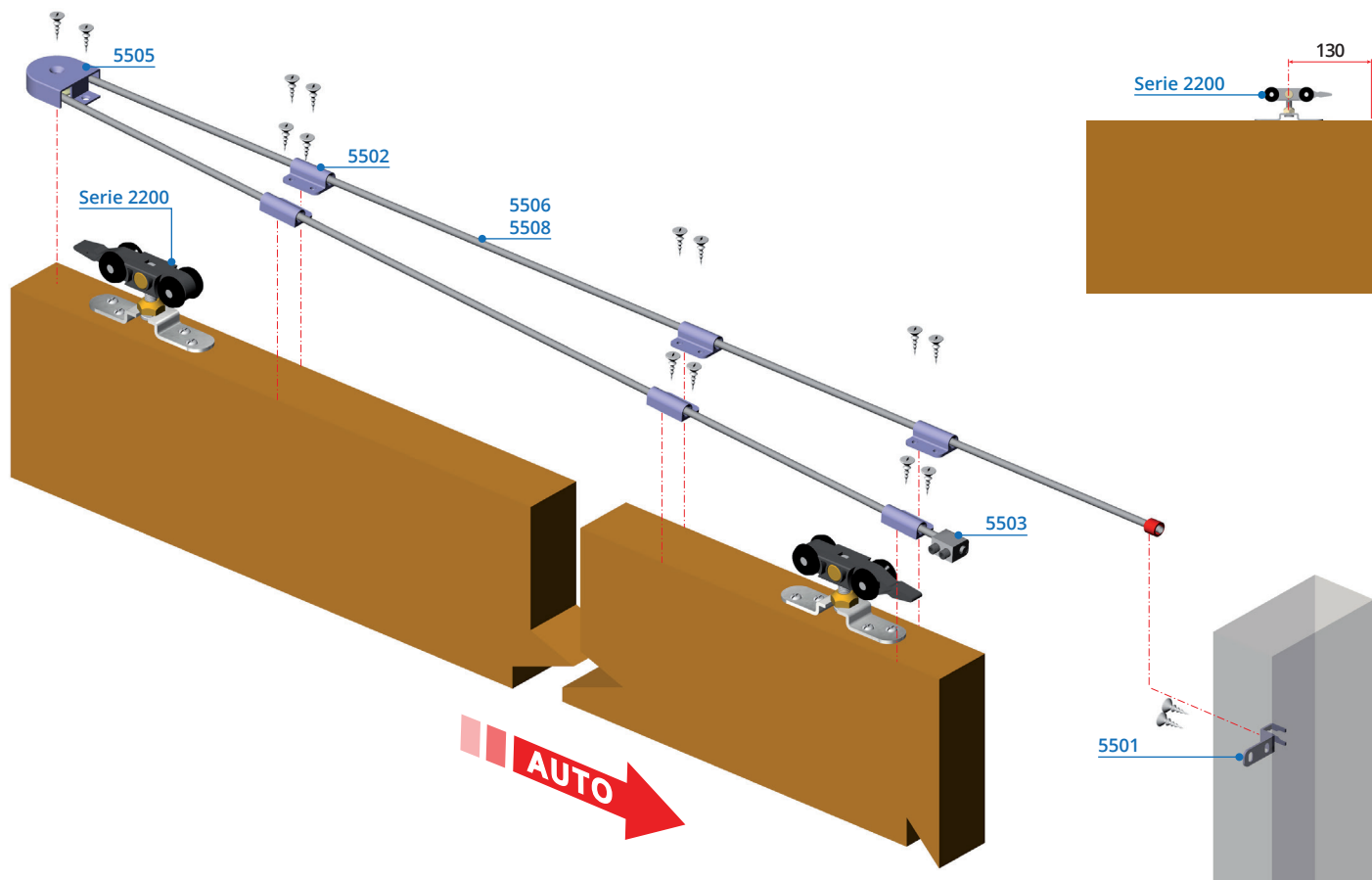
**Kit assemblato (esempio Kit 5560 - 5568 - 5580) | Assembled kit (example Kit 5560 - 5568 - 5580)**



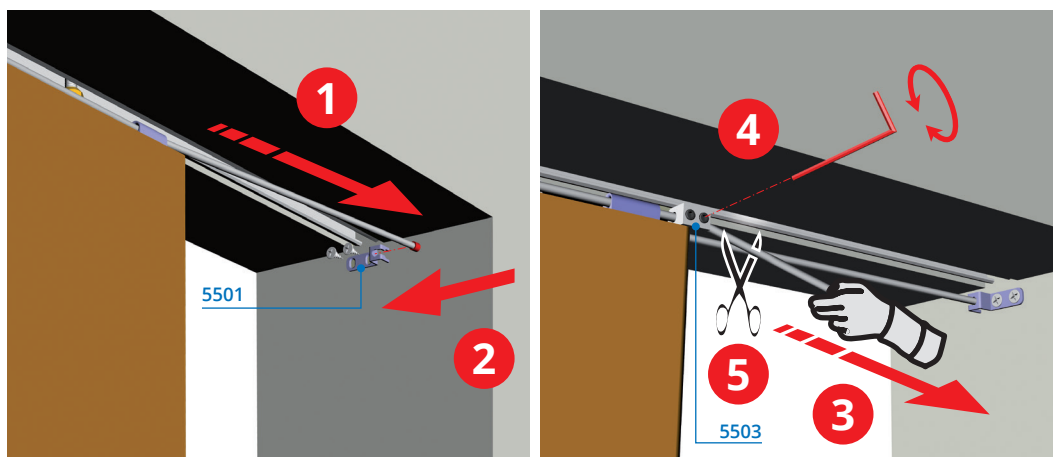
**Applicazione standard e con soft-close | Standard and soft-close application**



Montaggio Kit (esempio Kit 5560 - 5568 - 5580) | Kit assembly (example Kit 5560 - 5568 - 5580)

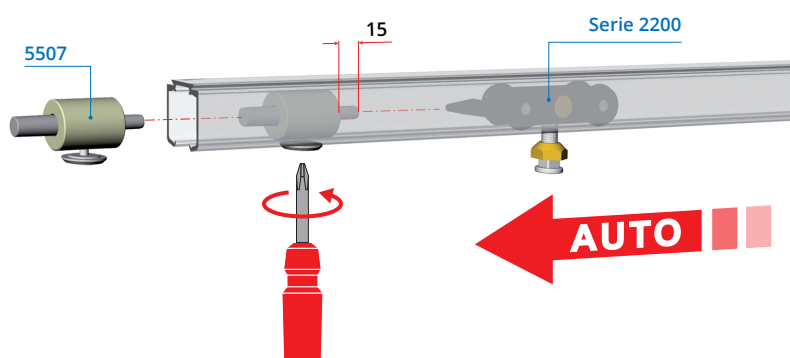


Fissaggio e regolazione della forza di chiusura | Fixing and adjustment of the closing force



- 1** **2**  
 Aggancio della fune elastica nel blocco art. 5501 fissato sullo stipite  
*Elastic cable hooking into the item art. 5501 fixed to the door jamb*
- 3** **4** **5**  
 Regolazione della forza di chiusura in base al peso dell'anta, agendo sull'art. 5503  
*Closing force adjustment suitable for every door weight, acting on art. 5503*

Fissaggio del fermo ammortizzato art. 5507 | Fixing of the end stop with shock absorber art. 5507



Kit compatibili  
 Matching kits  
 5567 - 5568/7  
 5587